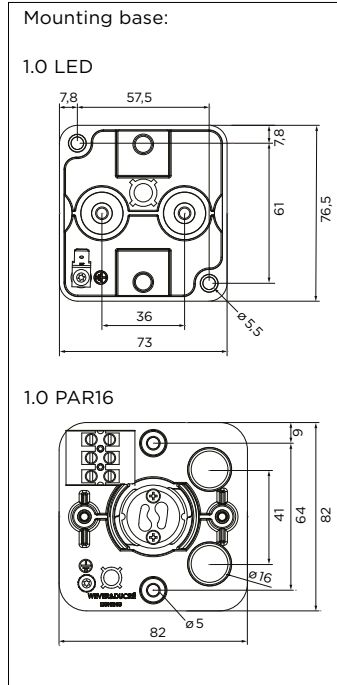
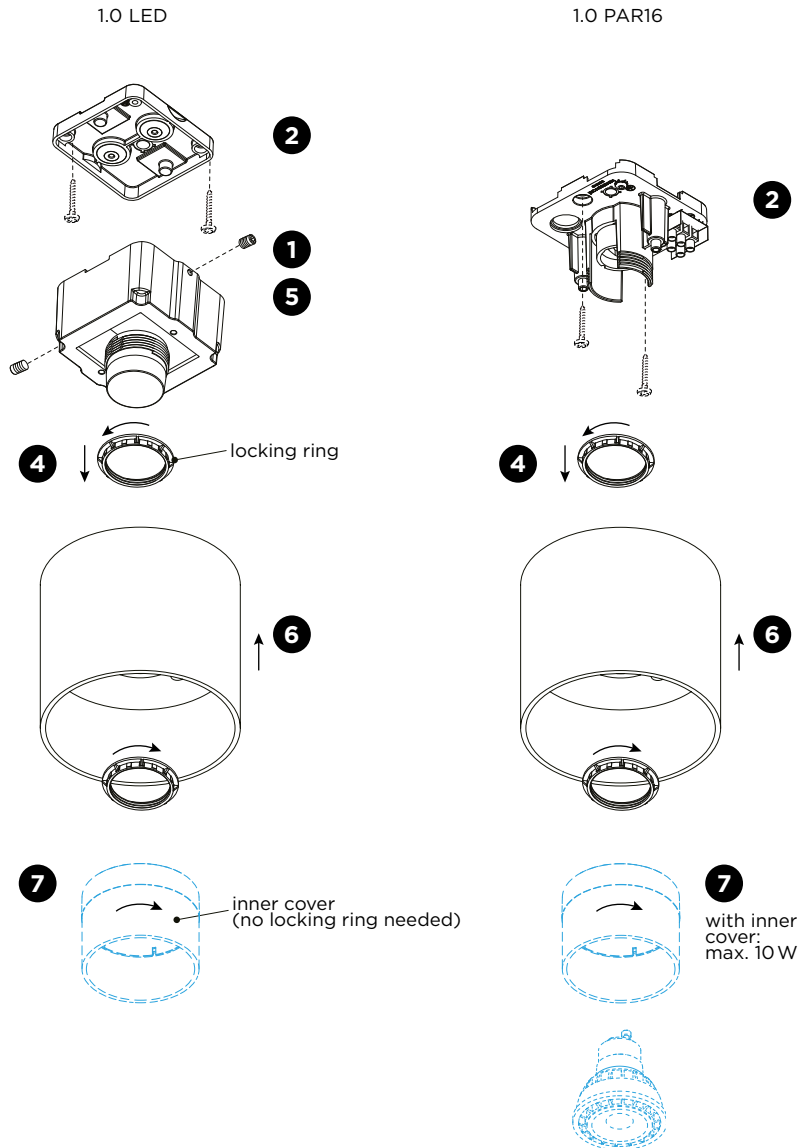
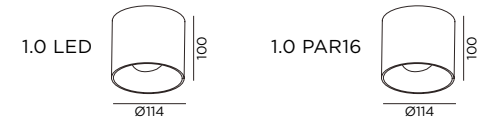


RAY CEILING

INSTALLATION INSTRUCTIONS | JANUARY 2026

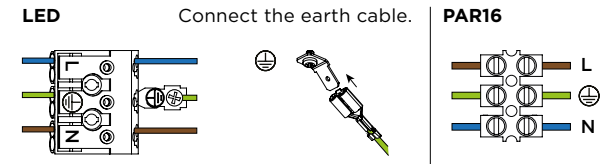


DIMENSIONS

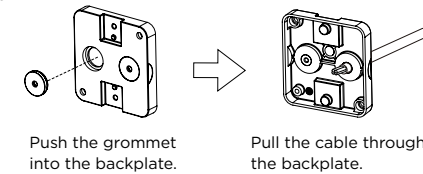


MOUNTING INSTRUCTION

- For LED: remove the mounting base from the LED module by loosening the socket screws.
- Mount the base on the ceiling with screws (screws are not included).
- POWER CONNECTION**
Connect to 220-240V.



For LED: Always use a matching grommet based on the used 220-240V cable and the corresponding type in the overview table.



- Unscrew the locking ring.
- For LED: fix the LED module on the base with the socket screws.
- Attach the cover by screwing the locking ring.
- OPTIONAL inner cover**
Put the inner cover in the outer cover by screwing.

	A	B	C
CABLE			
TYPE	ROUND H05RN-F H07RN8-F H07RN-F	ROUND H05RN-F	ROUND
OUTSIDE Ø	min. 6,8 mm max. 8,9 mm	min. 5 mm max. 6,5 mm	min. 1,5 mm max. 2,6 mm
CONDUCTION SECTION	2 or 3x0,75 mm ² 2 or 3x1,0 mm ² 2 or 3x1,5 mm ²	2 or 3x0,75 mm ² 2x1,0 mm ²	0,75 mm ² 1,5 mm ²

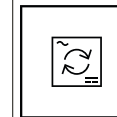
RAY CEILING

INSTALLATION INSTRUCTIONS | JANUARY 2026

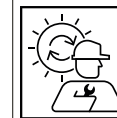
DISMOUNTING INSTRUCTION

Light source & driver

- 1 Unscrew the locking ring or inner cover and remove the cover.
- 2 Remove the two socket screws and disconnect the wires to dismantle the LED module from the base.
- 3 Loosen the screws and remove the diffuser and reflector.
- 4 Disconnect the wires, loosen the screws and remove the light source.
- 5 *For 2000-3000K variant:
Loosen the wires and unscrew the driver to remove it.



The driver can be replaced by the end user.*

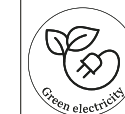


The light source is replaceable by Wever & Ducré or by a professional with explicit authorisation. For more information please contact your local Wever & Ducré customer service point.

This luminaire contains a light source with the corresponding energy class:

colour temperature	Energy class
2700K/3000K	A ↑ G D
2000-3000K	A ↑ G F

*only applicable on the 2000-3000K variant



Use green electricity to light up your luminaire.

