



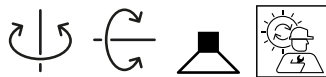
PROJECT

TYPE

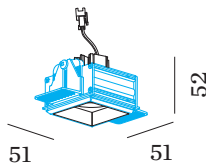
NOTES

QUANTITY

DATE



Squared ceiling recessed luminaire made from aluminium; surface Champagne; wet painted, smooth semi glossy; No matching RAL; recessed depth 65 mm; with COB (Chip on Board) technology for maximum efficiency; light colour 3000 K; ≤ 2 SDCM (initial MacAdam); CRI ≥ 90 ; beam angle 31°; 355° rotatable and 25° tiltable; degree of protection IP20; Class 3; driver not included; light source replaceable by Wever & Ducré or by a professional with explicit authorization;



LUMINAIRE

Ceiling _____
 Recessed _____
 tilt max 25 ° _____
 rotation 355 ° _____
 Champagne _____
 No matching RAL _____
 IP20 _____
 Interior _____
 570 lm / 350mA _____

LED Module

3000 K _____
 CRI ≥ 90 _____
 L80 / 55000h _____
 ≤ 2 SDCM (initial MacAdam) _____
 670 lm / 350mA _____
 109 lm/W^a _____
 6.1 W^a _____

Optical

Medium (standard) _____
 beam angle 31° _____
 CIE flux code: 97 100 100 100 _____
 100 _____

Electrical

excl. driver _____
 17 V _____
 Class III _____
 Standard _____

Physical

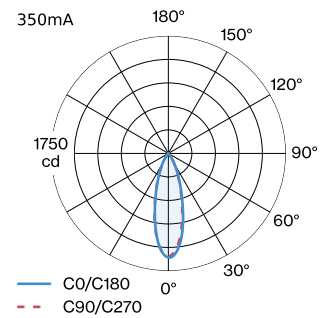
length 51 mm _____
 width 51 mm _____
 height 52 mm _____
 0.07 kg _____
 alu plasterkit _____

Cutout

length 64 mm _____
 width 64 mm _____
 min. ceiling thickness 7 mm _____
 max. ceiling thickness 32 mm _____
 recessed depth 65 mm _____

^a Without electrical and optical losses

LIGHT DISTRIBUTION



[163461M5] The technical data represent rated values for an ambient temperature of 25°C. The data values for the luminous flux are initially subject to a tolerance of +/- 10%, those for the electrical connected load are initially subject to a tolerance of +/- 10%, and those for the colour temperature are initially subject to a tolerance of +/- 150 K. No liability is assumed for typographical or printing errors. The general terms and conditions of Wever & Ducré BV apply.


Maintenance Factor

| | | | | | |
|--------------------|--------|--------|--------|--------|--------|
| Operating Time [h] | 10.000 | 20.000 | 30.000 | 40.000 | 50.000 |
| LLMF | 0.92 | 0.87 | 0.83 | 0.79 | 0.75 |
| LSF | 1 | 1 | 1 | 1 | 1 |

$$MF = LMF \times RSMF \times LLMF \times LSF$$

MF Maintenance Factor

LMF^a Luminaire Maintenance Factor

RSMF^a Room Surface Maintenance Factor

LLMF Lamp Lumens Maintenance Factor

LSF Lamp Survival Factor

^aAccording to "CIE 97, Maintenance of indoor electric lighting systems", 2005, ISBN 3-900-734-34-8. The values must be determined by the planner.

ELECTRICAL ACCESSORIES
Driver

| Type | Colour | Voltage | L·W·H (MM) | Item number |
|--|--------|---------|------------|-------------|
| 6W 350mA 8.6-18V | | 8.6-18V | 67-39-22 | 90213303 |
| 10W 350mA 13-26V phase-cut dim | | 13-26V | 115-41-25 | 90223406 |
| 14W 350mA 10-40V DALI-2 push dim | | 10-40V | 166-29-21 | 90243502 |

MOUNTING ACCESSORIES
Plasterkit

| Type | Colour | Voltage | L·W·H (MM) | Item number |
|-------------------|--------|---------|------------|-------------|
| STRANGE petit 1.0 | | | 62-62-42 | 90017202 |