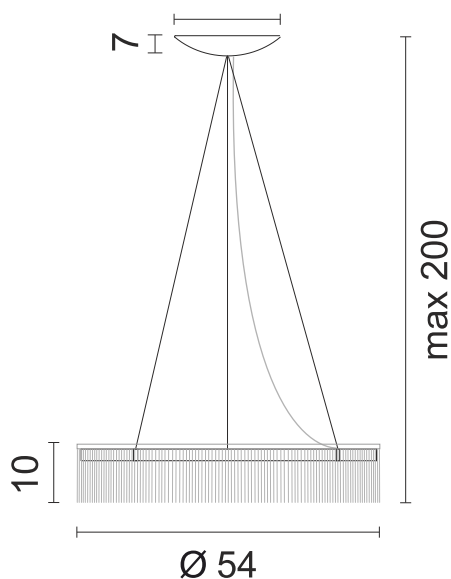




| | |
|--------------------------------------|---|
| modello: modell: | CHARLESTON |
| codice: code: | 1596 |
| design: | Paolo Pepere |
| anno - year: | 2019 |
| tipologia: typology: | lampada da sospensione suspension lamp |
| materiali: materials: | diffusore in metacrilato opale corpo in alluminio, paralume con frange "chainette" opal methacrylate diffuser with fringes "chainette", structure in aluminium |
| luce: light: | led diffusa led diffuse |
| sorgente luminosa: light sources: | /W- LED 27W 3750lm 4000K CRI>90 /WW- LED 27W 3600lm 3000K CRI>90 /XW- LED 27W 3225lm 2700K CRI>90 |
| grado IP - IP grade: | 40 |
| peso netto - net weight: | 0,80 kg |
| finiture - finiture: | .01 Bianco .01 White .02 Nero .02 Black |
| marcatura: marking: | CE |
| simboli costruttivi: symbols: | F |

Sorgente LED (18W/mt) e alimentatore inclusi
LED source (18W/mt) and converter included

Dimensioni - dimensions



Optional

0536

Elemento per decentramento
Displacement component

.01 Bianco - White

