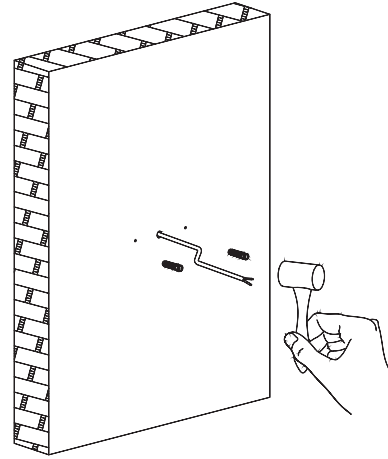


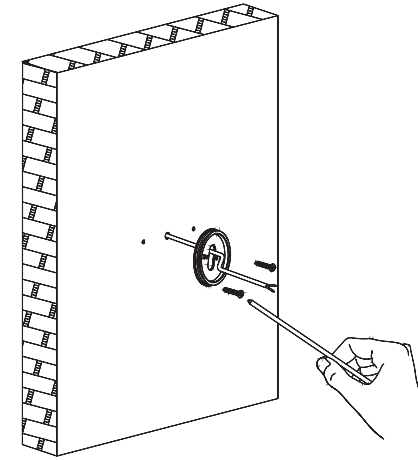
ANTIDARK

①



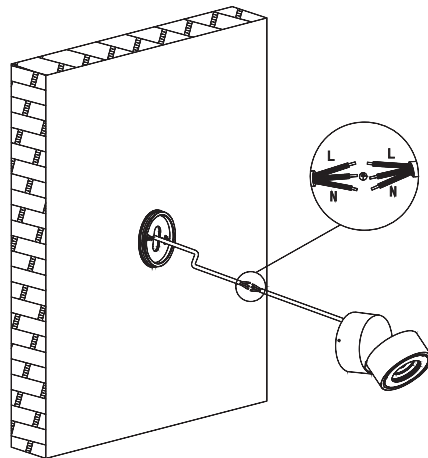
Drill two holes in the wall where the lamp will be installed and insert the wall plug into each hole with a hammer

②



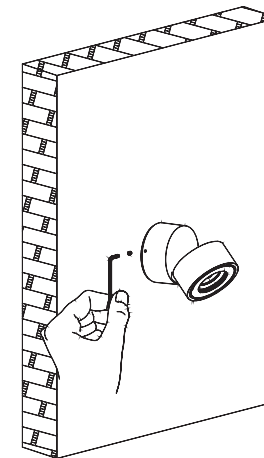
Secure the lower cover of the disc base in the wall with two stainless steel screws to ensure that the power cable passes through the middle of the back base

③



Connect the wire to the lamp to be installed with a waterproof connector

④



After fixing the lamp and base, lock it with two headless screws