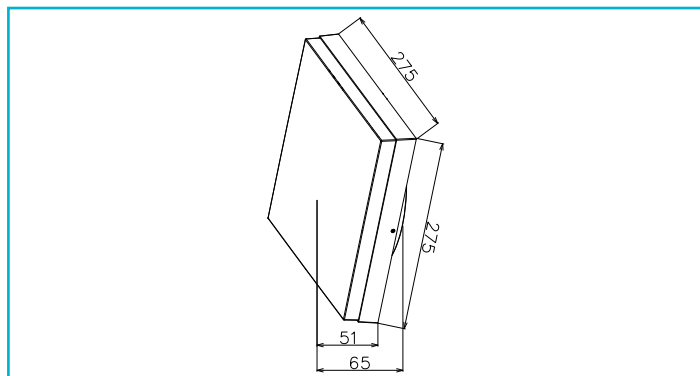


**Surface-mounted wall light**  
**Casa, 3 W, 3,000/4,000 K, black**


The CASA house number light has space for up to four digits and/or letters each 10 cm high, ensuring house numbers can be easily read. With a configurable twilight switch, the wall light automatically adjusts to the ambient brightness. The light colour can also be adjusted in two stages (3,000 K/4,000 K).

Multiple cable entries and the option of feed-through wiring mean that installation is simple and flexible. Anti-theft protection also prevents unauthorised removal.

**Special features**

- Space for four digits and letters each 10 cm high
- Adjustable daylight sensor
- Adjustable light colour 3,000/4,000 K
- Multiple cable entries incl. feed-through wiring
- Easy and quick mounting with anti-theft protection
- Set of number/letter stickers optionally available

<b>Housing Material</b>	PP - Polypropylene
<b>Housing Color</b>	Black
<b>Surface structure</b>	Matt
<b>Colour of Lens</b>	White
<b>Surface Structure of Lens</b>	Opal
<b>Through Wiring possible</b>	Yes
<b>Mounting Type</b>	Top mounting
<b>Mounting Location</b>	Outside
<b>Mounting Area</b>	Wall installation
<b>Protection Class</b>	Protection class II/ protective insulation
<b>Rated Input</b>	3 W
<b>Rated Power Consumption Standby</b>	0.5 W
<b>Rated Input Voltage Frequency</b>	200-240 V/AC 50 / 60 Hz
<b>Power Supply Unit incl.</b>	Yes
<b>Dimmable</b>	No
<b>Motion Detector</b>	No
<b>Light Source</b>	LED, Light source changeable TC
<b>Color Temperature</b>	3000/4000 K
<b>CRI (Ra)</b>	80
<b>Rated Luminous Flux</b>	250/260 lm
<b>Luminous Efficiency</b>	86.7 lm/W
<b>Rated Angle of Reflection</b>	120 Degree
<b>Light Distribution</b>	Symmetric
<b>Distribution Characteristic 120°</b>	DLS
<b>Light Exit Surfaces</b>	1
<b>Light characteristics</b>	Direct
<b>Light direction</b>	Front
<b>Length</b>	275 mm
<b>Width</b>	275 mm

<b>Height</b>	64 mm
<b>Base height</b>	14 mm
<b>Base H x Ø</b>	14 x 245 mm
<b>Base diameter</b>	245 mm
<b>Working Temperature</b>	-20 to 50 °C
<b>Storage Temperature</b>	-20 to 60 °C
<b>IP Protection Class</b>	IP 54
<b>IK Protection Class</b>	IK08
<b>Max. units per MCB B10</b>	95 PCS
<b>Max. units per MCB B16</b>	152 PCS
<b>Max. units per MCB C10</b>	95 PCS
<b>Max. units per MCB C16</b>	152 PCS
<b>Life Time L70 / B50</b>	50000 h
<b>Switching Cycles</b>	100000
<b>Power Consumption</b>	3 kWh/1000h
<b>Energy Efficiency Class Lightsource</b>	This product contains a light source of energy efficiency class C.

