



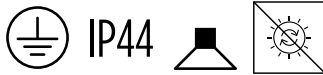
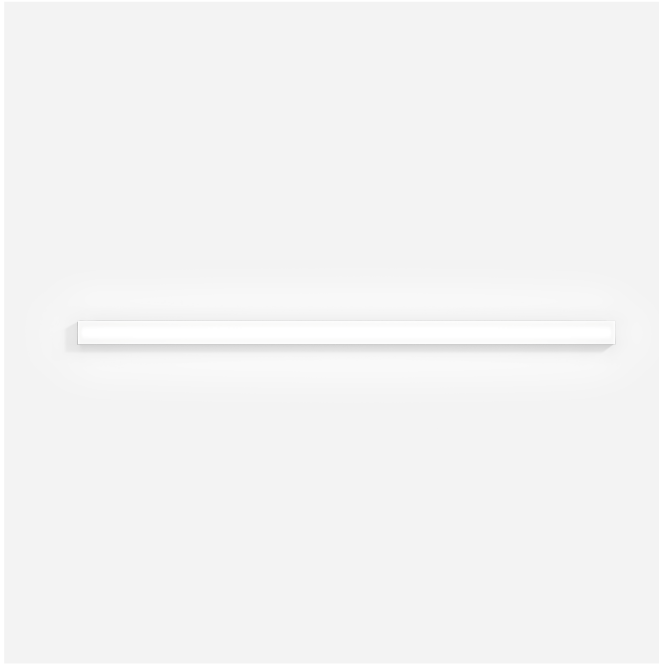
PROJECT _____

TYPE _____

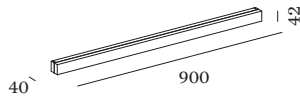
NOTES _____

QUANTITY _____

DATE _____



Wall surface luminaire made from aluminium; surface White Matt; powder coated; matt texture; opal PMMA; RAL 9010; PCB 3-step binning; light colour 3000 K; binning initial MacAdam ≤ 3 SDCM; CRI ≥ 90 ; inclusive output selector (choose between low and high luminosity); degree of protection IP44; Class 1; light source not replaceable;



GENERAL

Wall _____
 Surface _____
 White Matt + Clear/Opal _____
 PMMA _____
 RAL 9010 ^a _____
 IP44 _____
 Interior _____
 CIE flux code: 15 38 67 50 _____
 10003 _____

LED

3000 K _____
 CRI ≥ 90 _____
 L80 / 60000h _____
 initial MacAdam ≤ 3 SDCM _____

OPTICAL

Opal _____

ELECTRICAL

incl. output selector | phase-cut dim _____
 220 - 240 V _____
 system 12.2 / 18.2 W _____
 Class 1 _____

PHYSICAL

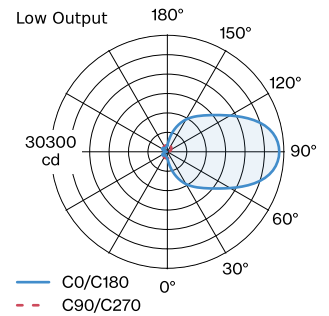
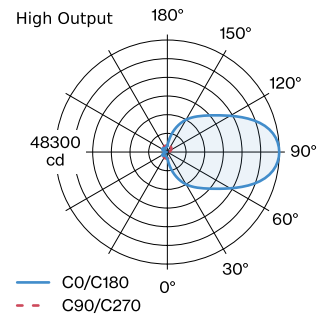
length 900 mm _____
 width 43 mm _____
 height 40 mm _____
 2.42 kg _____

OUTPUT

High Output _____
 1250 lm _____
 18.2 W _____

Low Output _____
 755 lm _____
 12.2 W _____

LIGHT DISTRIBUTION



^a Colour may deviate slightly due to production conditions.



Maintenance Factor

Operating Time [h]	10.000	20.000	30.000	40.000	50.000
LLMF	0.98	0.95	0.93	0.91	0.89
LSF	1	1	1	1	1

MF	$LMF \times RSMF \times LLMF \times LSF$	RSMF ^a	Room Surface Maintenance Factor
MF	Maintenance Factor	LLMF	Lamp Lumens Maintenance Factor
LMF ^a	Luminaire Maintenance Factor	LSF	Lamp Survival Factor

^aAccording to "CIE 97, Maintenance of indoor electric lighting systems", 2005, ISBN 3-900-734-34-8. The values must be determined by the planner.